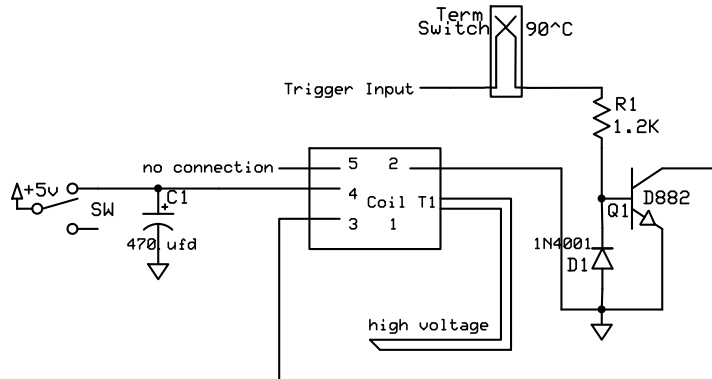
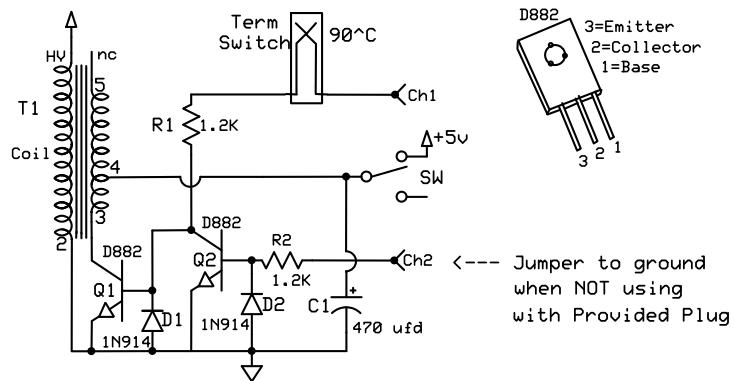


Plasma Ball Updated 1 and 2 Channel Circuits

Updated One Channel Circuit



Updated Two Channel Circuit



NOTE: Therm Switch heat sink glued to Q1 - both Circuits