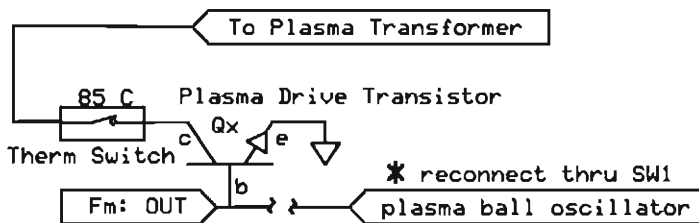
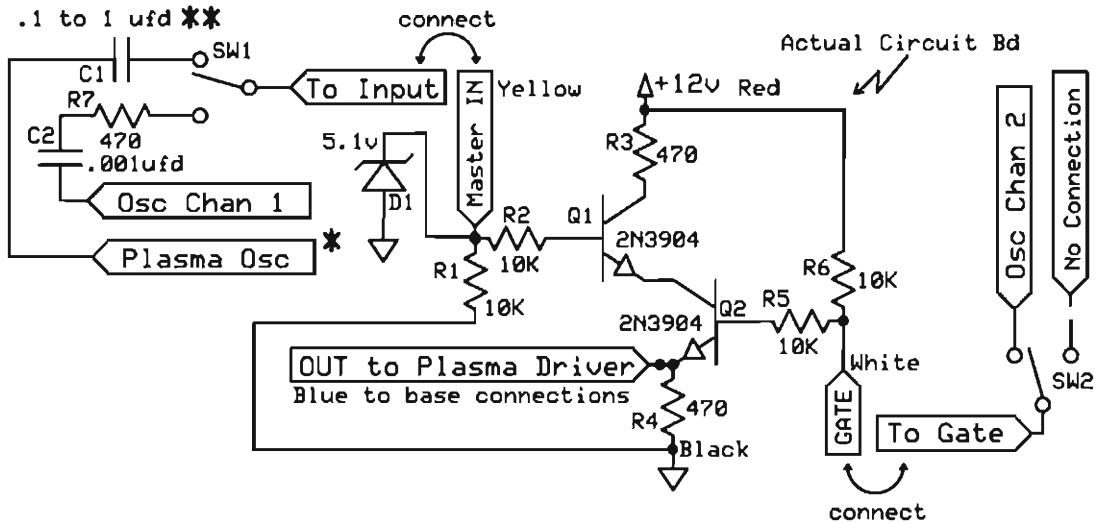


12 Volt Plasma Ball Controller



NOTE: 85 °C thermal switch should be connected to Qx Plasma Driving Transistor. This will protect it from over heating
 * (See '12 Volt Universal Plasma Ball Controller' PDF)
 ** Optional capacitor - Replace with wire if not used

AURORASKY

12 Volt Plasma Ball Controller

G. Steven Kempe

REV 1.03
 02-07-2019

Page 1 of 1