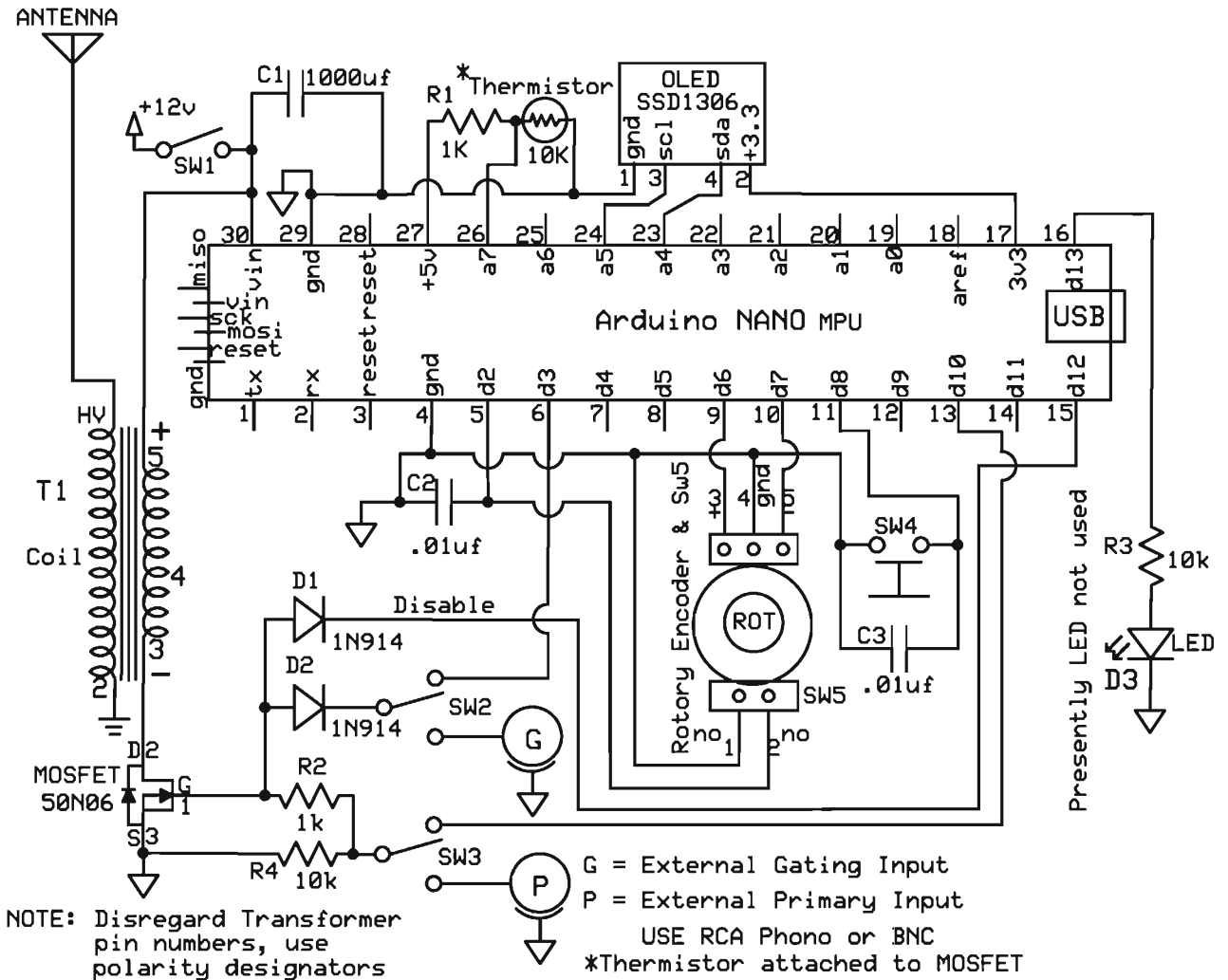


Arduino Nano Plasma Ball Circuit



AURORASKY

NANO Plasma Ball PCB

Steve Kempe

Rev 1.21
 9/18/2020

Page 1 of 1